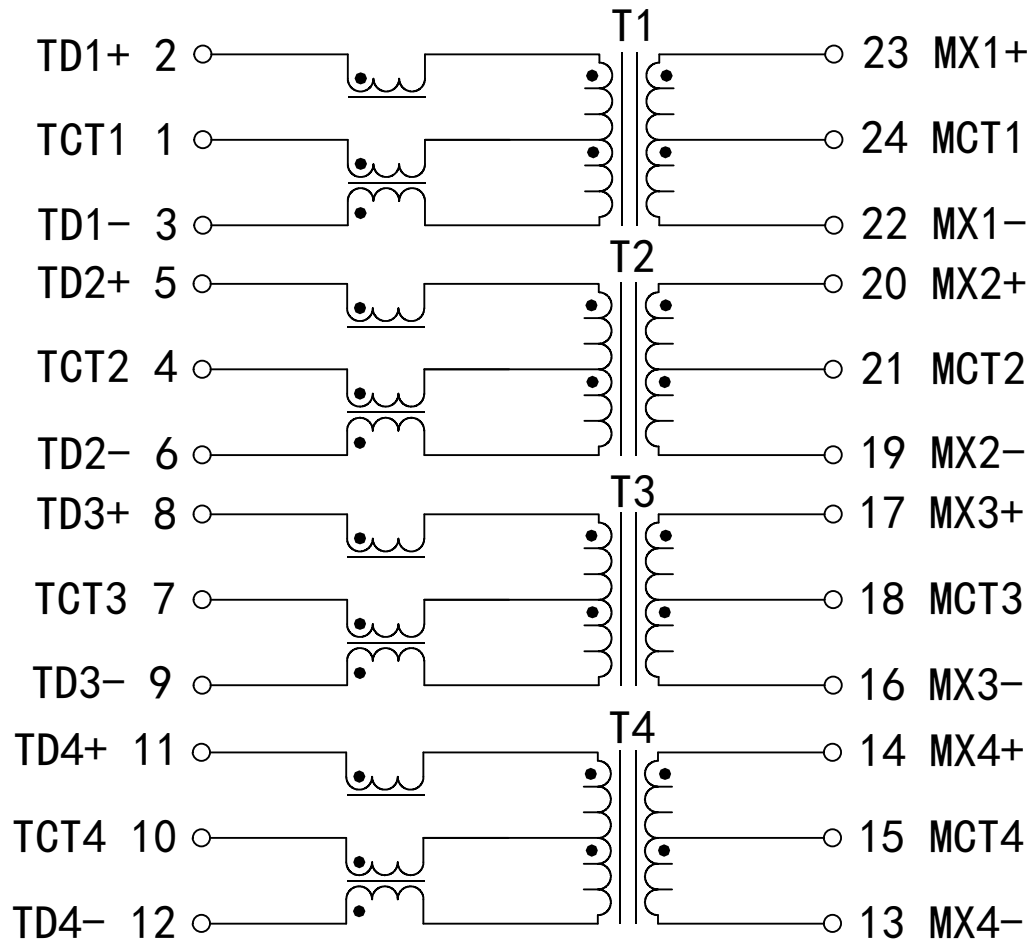


Schematic:

REV.	ECN NO.	DESCRIPTION	DATE	APPD
A	REL		15/05/2009	



Electrical Specification @25°C

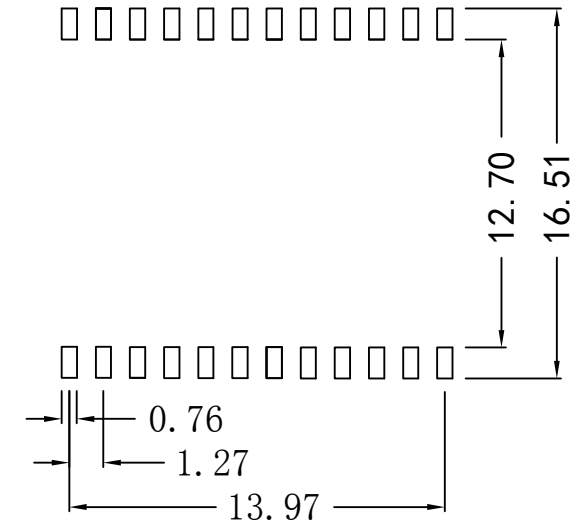
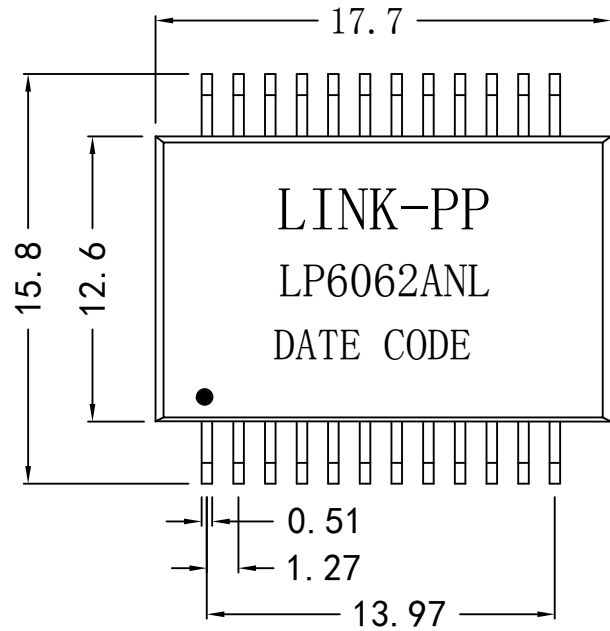
- Insertion Loss(dB Max):
 - 0.3-1MHz: -1.1 1-65MHz: -0.8
 - 65-100MHz: -1.0 100-125MHz: -1.2
- Return Loss(dB Min @100 OHM):
 - 0.5-40MHz: -18
 - 40-100MHz: -12-20LOG(f/80MHz)
- Crosstalk(dB Min):
 - 0.3-100MHz: -33-20LOG(f/100MHz)
- CM TO CM REJ:
 - 0.3-100MHz: -30dB Min
- CM TO DM REJ:
 - 0.3-100MHz: -35dB Min
- Turns Ratio:
 - PRI:SEC= 1CT:1CT ± 2%
- Inductance(100KHz/0.1V@11mA): 350uH Min
- Balanced DC Line Current:
 - 350mA Max @ 57VDC Continuous
- Hipot: 1500Vrms/0.5mA
- Operating Temperature: -40°C ~ +85°C.



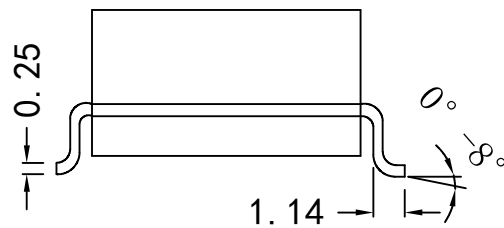
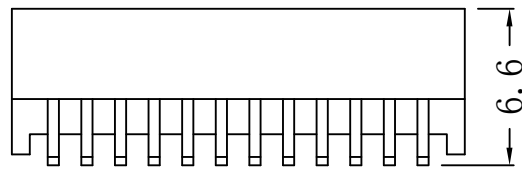
X:X	± 0.20	APPD:	
X:XX	± 0.10	CHKD:	
X:XXX	± 0.05	DR: TOM	TITLE: 1000Base-T Magnetic Modules For PoE Application
ANGLES	± 1°	UNIT: mm	PART NO.: LP6062ANL
	SCALE: 2/1	SHEET: 1/2	REV: A DWG NO.: LP09051229

Mechanical:

REV.	ECN NO.	DESCRIPTION	DATE	APPD
A	REL		15/05/2009	



SUGGESTED PAD LAYOUT



NOTES:

1. Gigabit Transformer Modules With Power Over Ethernet Option
2. Meets IEEE 802.3af specification
3. For RoHS part add suffix NL
4. RoHS "NL" peak solder rating $260^{\circ}\text{C} \pm 5^{\circ}\text{C}$.

X:X	± 0.20	APPD:	
X:XX	± 0.10	CHKD:	
X:XXX	± 0.05	DR: TOM	TITLE: 1000Base-T Magnetic Modules For PoE Application
ANGLES	$\pm 1^{\circ}$	UNIT: mm	PART NO.: LP6062ANL
	SCALE: 2/1	SHEET: 2/2	REV: A DWG NO.: LP09051229

Sales Department A-B2

Sales Engineer / Summer Ming - 明夏

Tel: 0086-752-3322915 Mob: 0086-180-2668-6530

Fax: 0086-752-3161926

E-mail: Summer@link-pp.com

www.link-pp.com

LINK- PP INT'L TECHNOLOGY CO., LIMITED

Jia An Industrial Park, Chenjiang Rd, Zhongkai Hightech Zone, Huizhou City,
516003, China



LINK- PP INT'L TECHNOLOGY CO., LIMITED

Seris : LPJXXXXXXXX/ LPXXXXXXXX/ LPAXXXXXXX